

National Association of Lift Makers

NALM

33/34 Devonshire Street London W1N 1RF
Director D M Fazakerley

telephone: 071-935 3013
fax: 071-935 3321

To: All Members
cc: The Quality and Technical Committee (Code No: 1786)

31 March 1994

Dear Sir

OAKLAND ELEVATORS LTD - SAFETY GEAR ROPE SNAGGING

I have been asked by the above member company to circulate the enclosed Technical Instruction Sheet. Would members please be guided accordingly.

Yours faithfully



D M Fazakerley
Director

Oakland Elevators Limited

Mr D M Fazakerley
National Association of Lift Makers
33/34 Devonshire Street
London
W1N 1RF



Lift Manufacturers

Registered Office
Mandervell Road
Oadby
Leicester LE2 5LL
Telephone 0533 720800
Fax No. 0533 720904

Our Ref: dh/tr

24 March, 1994

Dear David

Re: Oakland Elevators Ltd - Safety gear rope snagging

We have recently been advised of a potential safety hazard.

Please circulate the attached to all members.

Thanking you.

Yours sincerely
for OAKLAND ELEVATORS LIMITED

A handwritten signature in cursive script, appearing to read "D Holmes".

D Holmes
Internal Operations' Director

We have recently been advised of a potential safety hazard with an Oakland electric traction lift installed in 1976.

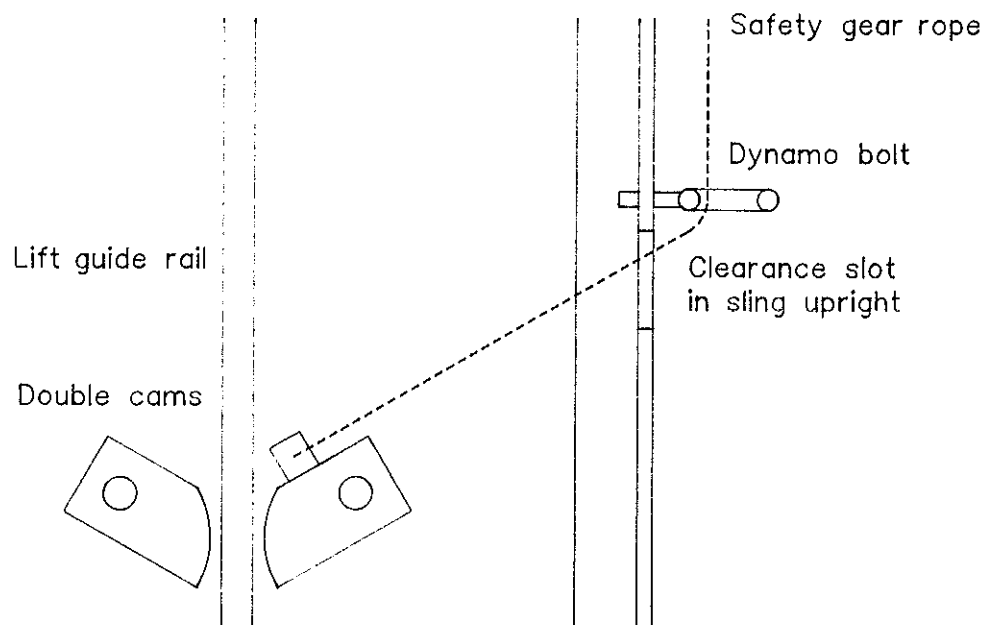
The problem relates to a safety gear rope which upon close inspection was found to pass through potential snagging points for the installation in question. Upon testing the safety gear has always been found to operate satisfactorily. However, work has now been carried out to remove the possibility of the rope snagging.

The normal arrangement (see sketch below) at the time, was to fit a dynamo bolt to 'guide' the rope through a clearance slot in the sling upright.

Please closely examine all Oakland electric traction lifts installed prior to 1982 end, which are fitted with instantaneous double cam safety gear.

If any 'potential' snagging points are found, it is suggested that rectification work is undertaken.

Please contact Philip Chamberlain at Oakland Elevators for advice/ component parts.



Title :

Safety Gear Rope Snagging

TI no: 001

Issued by: D Holmes

Approved by: PM Chamberlain