

# National Association of Lift Makers

Leicester House 8 Leicester Street London WC2H 7BN  
Director D M Fazakerley

# NALM

telephone: 01-437 0678  
telex: 263536  
fax: 01-287 8543

To: All Members  
cc: The Technical Committee (Code No 1155)

4 January 1990

Dear Sir,

## **Marryat and Scott Ltd Type EY1300 Lift Machines**

I enclose an internal memorandum received from Kone Lifts Ltd concerning the above machines which I trust will prove self-explanatory.

Will members please be guided accordingly should they be involved in any way with this type of equipment.

Yours faithfully,



D M Fazakerley  
Director

DISTRIBUTION LIST

BRANCH MANAGERS

REGIONAL MANAGERS

W ORCHARD	HOUNSLOW
T J RIDLER	HOUNSLOW
A J SHINER	HOUNSLOW
K HILL	HOUNSLOW
S E COOK	HOUNSLOW
B A FUELL	HOUNSLOW
V J KAURA	HOUNSLOW

FOR INFO:

S SMITH	HOUNSLOW
D FAZAKERLEY	NALM ✓
D ROCHE	BENNIE (P'BORO)

*1/14/00  
Len chiles  
Vukobratovic  
K chiles with  
before sunny constellation*

From: L.B. CHILES - HOUNSLOW

To: SEE DISTRIBUTION LIST

Date: 5th December 1989

My ref: E/LBC/JMH

Your ref:

SAFETY NOTE : SN89/12/1

Subject: EY1300 Lift Machines.

A failure has occurred to the output shaft of one of these machines with another machine showing cracks in the output shaft in the same location.

The duty of the machine with the failure is 150fpm, 4000lbs (Max 4500) 2 speed and that with the cracked shaft 300fpm at 3000lb.

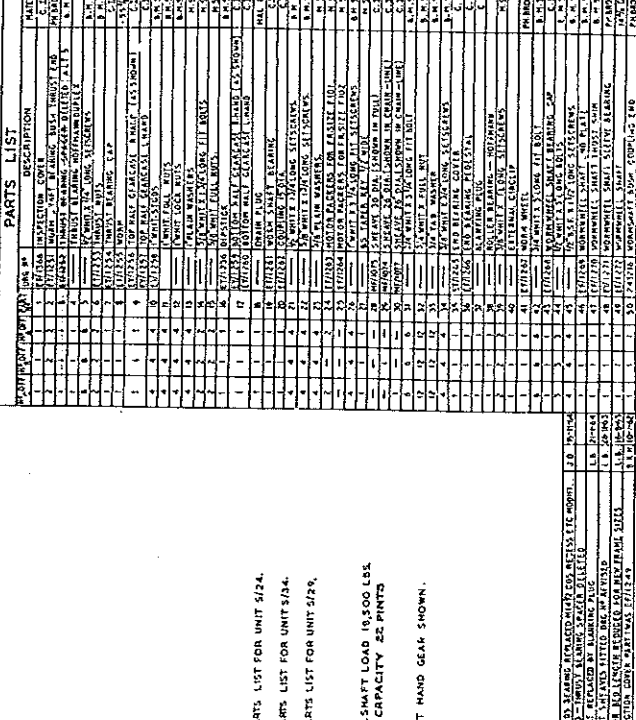
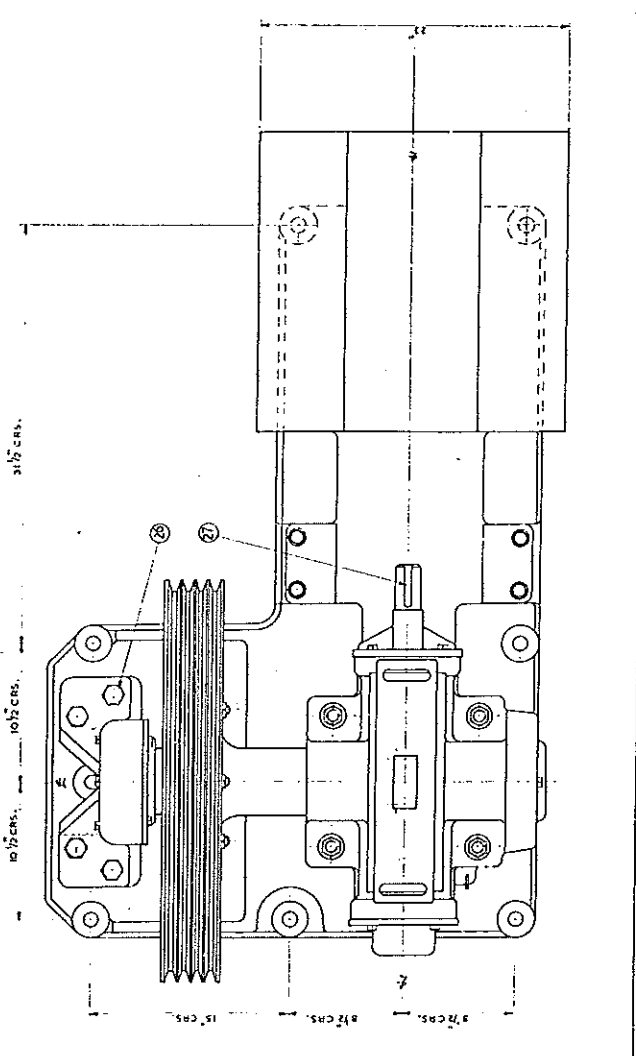
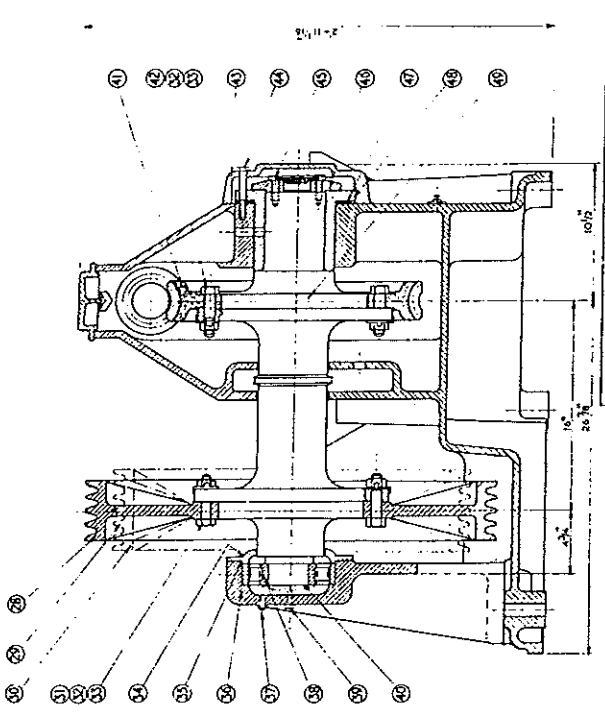
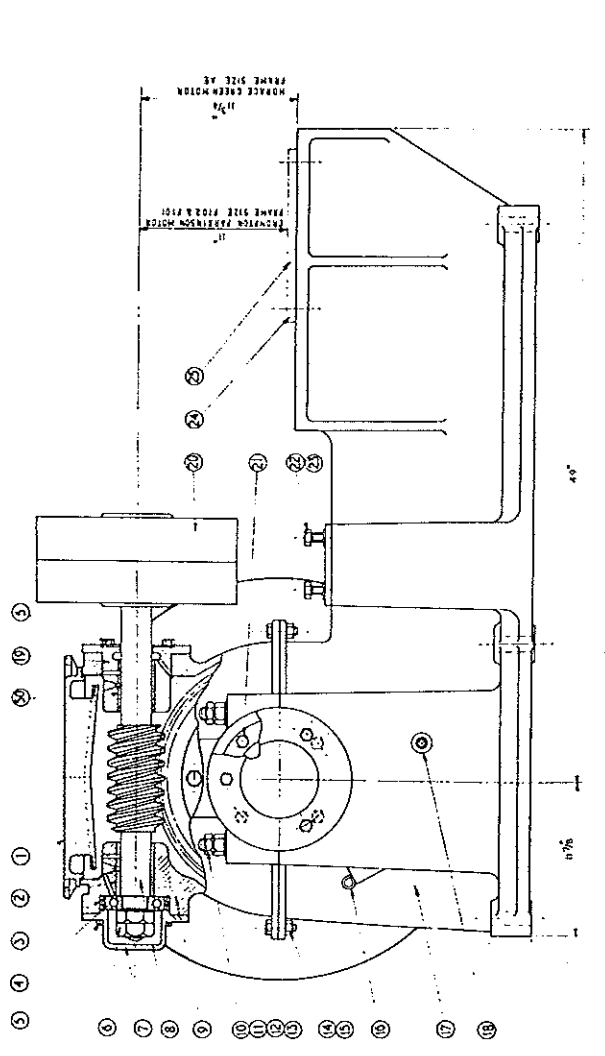
The EY1300 is a 10 $\frac{3}{4}$ " centre machine used for larger duties but superseded in mid 1970s by Holroyd & Renold gears.

All EY1300 gears must be examined immediately for such damage and where the shaft is of welded construction, N.D.T. ultrasonic testing must be carried out to determine the extent of any possible stress cracking.

A general arrangement drawing of the gear is attached together with a sketch of the output shaft construction indicating the location of the recent failure.

L B C

SN89/12/1



**PARTS LIST**

UNIT NO.	QTY.	PART NO.	DESCRIPTION	MATERIAL	REF. DR. PART NO.
1	1	10100	IMPELLER CORE	C.I.	
1	1	10101	IMPELLER SCREW	AISI 316	
1	1	10102	IMPELLER SCREW NUT	AISI 316	
1	1	10103	IMPELLER SCREW WASHER	AISI 316	
1	1	10104	IMPELLER SCREW LOCKWASHER	AISI 316	
1	1	10105	IMPELLER SCREW BUSH	AISI 316	
1	1	10106	IMPELLER SCREW PIN	AISI 316	
1	1	10107	IMPELLER SCREW SPRING	AISI 316	
1	1	10108	IMPELLER SCREW BUSH	AISI 316	
1	1	10109	IMPELLER SCREW PIN	AISI 316	
1	1	10110	IMPELLER SCREW SPRING	AISI 316	
1	1	10111	IMPELLER SCREW BUSH	AISI 316	
1	1	10112	IMPELLER SCREW PIN	AISI 316	
1	1	10113	IMPELLER SCREW SPRING	AISI 316	
1	1	10114	IMPELLER SCREW BUSH	AISI 316	
1	1	10115	IMPELLER SCREW PIN	AISI 316	
1	1	10116	IMPELLER SCREW SPRING	AISI 316	
1	1	10117	IMPELLER SCREW BUSH	AISI 316	
1	1	10118	IMPELLER SCREW PIN	AISI 316	
1	1	10119	IMPELLER SCREW SPRING	AISI 316	
1	1	10120	IMPELLER SCREW BUSH	AISI 316	
1	1	10121	IMPELLER SCREW PIN	AISI 316	
1	1	10122	IMPELLER SCREW SPRING	AISI 316	
1	1	10123	IMPELLER SCREW BUSH	AISI 316	
1	1	10124	IMPELLER SCREW PIN	AISI 316	
1	1	10125	IMPELLER SCREW SPRING	AISI 316	
1	1	10126	IMPELLER SCREW BUSH	AISI 316	
1	1	10127	IMPELLER SCREW PIN	AISI 316	
1	1	10128	IMPELLER SCREW SPRING	AISI 316	
1	1	10129	IMPELLER SCREW BUSH	AISI 316	
1	1	10130	IMPELLER SCREW PIN	AISI 316	
1	1	10131	IMPELLER SCREW SPRING	AISI 316	
1	1	10132	IMPELLER SCREW BUSH	AISI 316	
1	1	10133	IMPELLER SCREW PIN	AISI 316	
1	1	10134	IMPELLER SCREW SPRING	AISI 316	
1	1	10135	IMPELLER SCREW BUSH	AISI 316	
1	1	10136	IMPELLER SCREW PIN	AISI 316	
1	1	10137	IMPELLER SCREW SPRING	AISI 316	
1	1	10138	IMPELLER SCREW BUSH	AISI 316	
1	1	10139	IMPELLER SCREW PIN	AISI 316	
1	1	10140	IMPELLER SCREW SPRING	AISI 316	
1	1	10141	IMPELLER SCREW BUSH	AISI 316	
1	1	10142	IMPELLER SCREW PIN	AISI 316	
1	1	10143	IMPELLER SCREW SPRING	AISI 316	
1	1	10144	IMPELLER SCREW BUSH	AISI 316	
1	1	10145	IMPELLER SCREW PIN	AISI 316	
1	1	10146	IMPELLER SCREW SPRING	AISI 316	
1	1	10147	IMPELLER SCREW BUSH	AISI 316	
1	1	10148	IMPELLER SCREW PIN	AISI 316	
1	1	10149	IMPELLER SCREW SPRING	AISI 316	
1	1	10150	IMPELLER SCREW BUSH	AISI 316	
1	1	10151	IMPELLER SCREW PIN	AISI 316	
1	1	10152	IMPELLER SCREW SPRING	AISI 316	
1	1	10153	IMPELLER SCREW BUSH	AISI 316	
1	1	10154	IMPELLER SCREW PIN	AISI 316	
1	1	10155	IMPELLER SCREW SPRING	AISI 316	
1	1	10156	IMPELLER SCREW BUSH	AISI 316	
1	1	10157	IMPELLER SCREW PIN	AISI 316	
1	1	10158	IMPELLER SCREW SPRING	AISI 316	
1	1	10159	IMPELLER SCREW BUSH	AISI 316	
1	1	10160	IMPELLER SCREW PIN	AISI 316	
1	1	10161	IMPELLER SCREW SPRING	AISI 316	
1	1	10162	IMPELLER SCREW BUSH	AISI 316	
1	1	10163	IMPELLER SCREW PIN	AISI 316	
1	1	10164	IMPELLER SCREW SPRING	AISI 316	
1	1	10165	IMPELLER SCREW BUSH	AISI 316	
1	1	10166	IMPELLER SCREW PIN	AISI 316	
1	1	10167	IMPELLER SCREW SPRING	AISI 316	
1	1	10168	IMPELLER SCREW BUSH	AISI 316	
1	1	10169	IMPELLER SCREW PIN	AISI 316	
1	1	10170	IMPELLER SCREW SPRING	AISI 316	
1	1	10171	IMPELLER SCREW BUSH	AISI 316	
1	1	10172	IMPELLER SCREW PIN	AISI 316	
1	1	10173	IMPELLER SCREW SPRING	AISI 316	
1	1	10174	IMPELLER SCREW BUSH	AISI 316	
1	1	10175	IMPELLER SCREW PIN	AISI 316	
1	1	10176	IMPELLER SCREW SPRING	AISI 316	
1	1	10177	IMPELLER SCREW BUSH	AISI 316	
1	1	10178	IMPELLER SCREW PIN	AISI 316	
1	1	10179	IMPELLER SCREW SPRING	AISI 316	
1	1	10180	IMPELLER SCREW BUSH	AISI 316	
1	1	10181	IMPELLER SCREW PIN	AISI 316	
1	1	10182	IMPELLER SCREW SPRING	AISI 316	
1	1	10183	IMPELLER SCREW BUSH	AISI 316	
1	1	10184	IMPELLER SCREW PIN	AISI 316	
1	1	10185	IMPELLER SCREW SPRING	AISI 316	
1	1	10186	IMPELLER SCREW BUSH	AISI 316	
1	1	10187	IMPELLER SCREW PIN	AISI 316	
1	1	10188	IMPELLER SCREW SPRING	AISI 316	
1	1	10189	IMPELLER SCREW BUSH	AISI 316	
1	1	10190	IMPELLER SCREW PIN	AISI 316	
1	1	10191	IMPELLER SCREW SPRING	AISI 316	
1	1	10192	IMPELLER SCREW BUSH	AISI 316	
1	1	10193	IMPELLER SCREW PIN	AISI 316	
1	1	10194	IMPELLER SCREW SPRING	AISI 316	
1	1	10195	IMPELLER SCREW BUSH	AISI 316	
1	1	10196	IMPELLER SCREW PIN	AISI 316	
1	1	10197	IMPELLER SCREW SPRING	AISI 316	
1	1	10198	IMPELLER SCREW BUSH	AISI 316	
1	1	10199	IMPELLER SCREW PIN	AISI 316	
1	1	10200	IMPELLER SCREW SPRING	AISI 316	

MAX. SMART LOAD 10,000 LBS.  
OIL CAPACITY 22 PINTS

RIGHT HAND GEAR SHOWN.

\* A PARTS LIST FOR UNIT S/24.  
\* B PARTS LIST FOR UNIT S/24.  
\* C PARTS LIST FOR UNIT S/29.

MARRIAT & SCOTT LTD.  
LONDON & HOUNSLOW

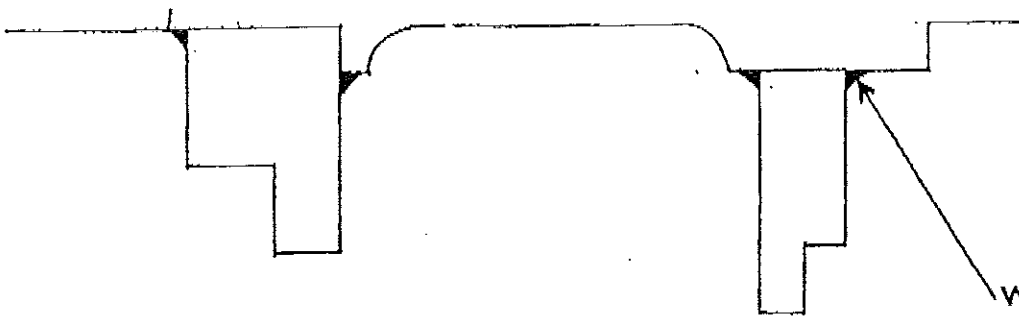
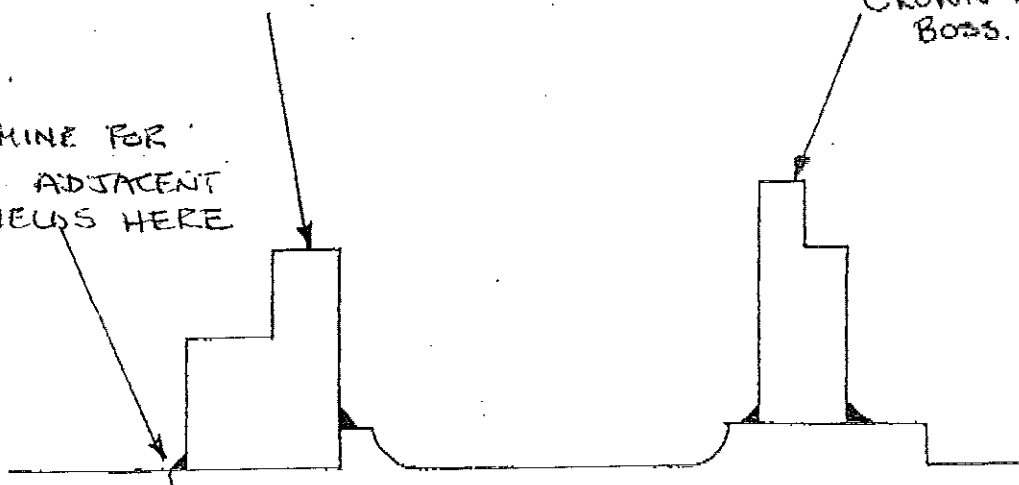
GENERAL ARRANGEMENT OF GEAR FOR USE WITH 15" BRAKE GEAR COMPONENT OF UNITS : S/24 S/25 & S/29

SCALE DRAWING R.L.F. IN. 1/8  
1/4  
1/2  
1  
2  
4  
8  
16  
32  
64  
128  
256  
512  
1024  
2048  
4096  
8192  
16384  
32768  
65536  
131072  
262144  
524288  
1048576  
2097152  
4194304  
8388608  
16777216  
33554432  
67108864  
134217728  
268435456  
536870912  
1073741824  
2147483648  
4294967296  
8589934592  
17179869184  
34359738368  
68719476736  
137438953472  
274877906944  
549755813888  
1099511627776  
2199023255552  
4398046511104  
8796093022208  
17592186044416  
35184372088832  
70368744177664  
140737480355328  
281474960710656  
562949921421312  
1125899842842624  
2251799685685248  
4503599371370496  
9007198742740992  
18014397485481984  
36028794970963968  
72057589941927936  
144115179883855872  
288230359767711744  
576460719535423488  
1152921439070846976  
2305842878141693952  
4611685756283387904  
9223371512566775808  
18446743025133557616  
36893486050267115232  
73786972100534230464  
1475739442010684608  
2951478884021369216  
5902957768042738432  
11805915536085476864  
23611831072170953728  
47223662144341907456  
94447324288683814912  
18889464857736763824  
37778929715473527648  
75557859430947055296  
151115718861894105584  
302231437723788211168  
604462875447576422336  
120892575089515284472  
241785150179131168944  
483570300358262337888  
967140600716524675776  
1934281201432549351552  
3868562402865098703104  
7737124805730197406208  
15474249611460397812416  
30948499222920795624832  
61896998445841591249664  
123793996891683182499328  
24758799378336636499856  
49517598756673272999104  
9903519751334654598816  
19807039502669309177332  
396140790053386183546656  
79228158010677236709328  
158456316021354473418656  
316912632042708946837312  
63382526408541789371424  
126765052817083578742848  
253530105634167157485696  
5070602112683343149371328  
1014120422536668298742656  
2028240845073336597485312  
4056481690146731914970624  
8112963380293463829941248  
162259277605873165918848  
3245185552117164319177696  
649037110423532863835520  
1298074208470665276711040  
2596148416941330553422080  
51922968338826611068444160  
10384593667765322133368832  
20769187335530644266737664  
41538374671131288533475296  
83076749342262577066895712  
166153498684525154133791424  
33230699736905030826758288  
664613994738100616453515776  
1329227989476201229071155536  
2658455978952402458142311104  
531691195790480491628646208  
1063382391580960983257292416  
2126764783161921966514564832  
4253529566323843933029128656  
850705913264768786605785712  
1701411826529537573211571424  
3402823653059075146423428448  
6805647306118150292846856896  
13611294612237400576537137792  
27222589224474801153107475584  
54445178448949602262145151168  
10889035697789920532429031328  
21778071395579841064484706656  
435561427911596821288969331104  
87112285582319364257793862208  
174224511164687285155587724416  
348449023329374570311115488832  
69689804665874914062223097664  
13937960931775482824446195328  
27875921863550965648893180656  
55751843727101931297777361312  
11150368745403786595554725224  
223007374908075731911109444448  
446014749816071463822218888896  
89202949963214282764437777984  
178405899246425565528887557168  
3568117984928511310577751151328  
71362359698570226211552302656  
1427247193971404524231110531104  
28544943879428090484622210562208  
5708988775885618096924442111164  
11417977551771237619368884223224  
2283595510354447278767776444448  
4567191020708894557535552888896  
913438204141778911511071117777984  
182687640828355782232223555555168  
365375281656711564644471111111328  
730750563313423128928882222222656  
1461501126626745577577555555551312  
2923002253253491115555555555552624  
5846004506506982231111111111115248  
1169200901301396446222222222223072  
2338401802602792892444444444446144  
46768036052055857848888888888812288  
935360721041117156977777777777724576  
1870721442082354113835555555555549152  
3741442884164708227671111111111198304  
748288576832941655334222222222396608  
149657715366588331066688888888793216  
2993154307331766621333377777777586432  
5986308614663533266675555555571668864  
11972617229327066533315111111143373216  
23945234458654133066630222222286746432  
4789046891730826613336044444457348864  
957809378346165336661208888881146977728  
19156187566923066666624177777722935552  
38312375133846133333348355555553867104  
76624750267692266666696711111177341216  
15324950535338453333339342222234628232  
30649901070676906666678684444469254464  
612998021413538133333315368888881385088  
12259960282671676666630737777772770176  
2451992056534335333336147555555555434032  
4903984113068670666661229111111111868064  
980796822613734133333245822222223736128  
196159364526746826666649164444447472256  
392318729053493653333983288888814944512  
7846374581069873066679665777777729889248  
1569274916137746133331537155555555595777936  
31385498322754926666307431111111191555872  
6277099664550985333361482222223831117144  
1255419933101197066661229244444476622928  
25108398662023941333324584888888151704704  
502167973240478826666491697777773034096  
1004335946480957533339831955555556068192  
20086718929619150666619663911111121171584  
401734378592383013333391278222224234368  
80346875718476602666678255555558469776  
160693751369532053333153711111116935552  
3213875027391040106666307422222233711104  
642775005478208021333361484444446742208  
128555001156641604266661229488888813484416  
257110002313283208533332458977777726968832  
514220004626566416666491695555555533937664  
102844000925313333391279111111171555872  
205688001850626666192555555556068192  
41137600370125333338463911111121171584  
822752007402506666389195555556068192  
16455040148050133337783911111121171584  
3291008029610026666153711111116935552  
658201605922005333330742222233711104  
13164032118440106666122948888813484416  
26328064236880213333245897777726968832  
526561284737604266664916955555533937664  
10531225647152053333912791111171555872  
21062451294304106661925555556068192  
42124902588608213333846391111121171584  
842498051772164266661537111116935552  
168499610344328533333074222233711104  
3369992206886570666612294888813484416  
6739984413773141333324589777726968832  
13479968275462826666491695555533937664  
2695993655092565333391279111171555872  
5391987310185130666192555556068192  
1078397462037021333384639111121171584  
21567949240740426666153711116935552  
43135898481480853333307422233711104  
8627179696296170666612294888

SHEAVE WHEEL  
BOSS.

CROWN WHEEL  
BOSS.

EXAMINE FOR  
CRACKS ADJACENT  
TO WELDS HERE



WELDS.