

Lift & Escalator Industry Association

33-34 Devonshire Street London W1G 6PY

Tel: 020 7935 3013 Fax: 020 7935 3321

E-mail: enquiries@leia.co.uk

Website: www.leia.co.uk

A growing event - bookings up 50%!

Liftex 07
16-17 May • ExCel • London

27th March 2007

To: All Members

**cc: The Quality and Technical Committee (Code No. 717)
The Maintenance Committee**

Dear Member,

SAFETY BULLETIN : THYSSEN-KRUPP ELEVATOR UK

Please find attached Safety Bulletin from Thyssen-Krupp in connection with a potential safety problem, where a Thyssen-Krupp W263B gear unit was installed in a bottom drive configuration.

I trust that you will find this bulletin self-explanatory and be guided accordingly.

Yours faithfully

Robert N Lee
Director, Technical Services

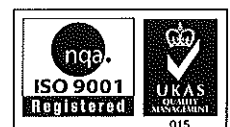


EMTA Awards Limited
Approved Assessment Centre

ELA Member of the
European Lift Association



Registered in England N° 3851206.
Registered office as above.



Certificate N° 12368



LEIA Notice

Manufacturer ThyssenKrupp Elevator UK Limited
Subject ThyssenKrupp W263B Gear Unit Bottom Drive supplied by Thyssen MAN Ltd circa 1986
Originator ThyssenKrupp Elevator UK Limited
Date 8 February 2007

A potential safety problem has been discovered on one site fitted with the ThyssenKrupp W263B gear unit installed in a bottom drive configuration. This notice relates to the fixings securing the gear unit to the building structure.

We have discovered that in this instance the gear unit had been bolted directly to the concrete floor of the machine room using the "A" bearing fixing holes and transit channels. The correct method of fixing in a bottom drive configuration when using this type of gear unit is to bolt the machine to steels embedded/cast into the floor or onto a raft arrangement which is bolted to the floor.

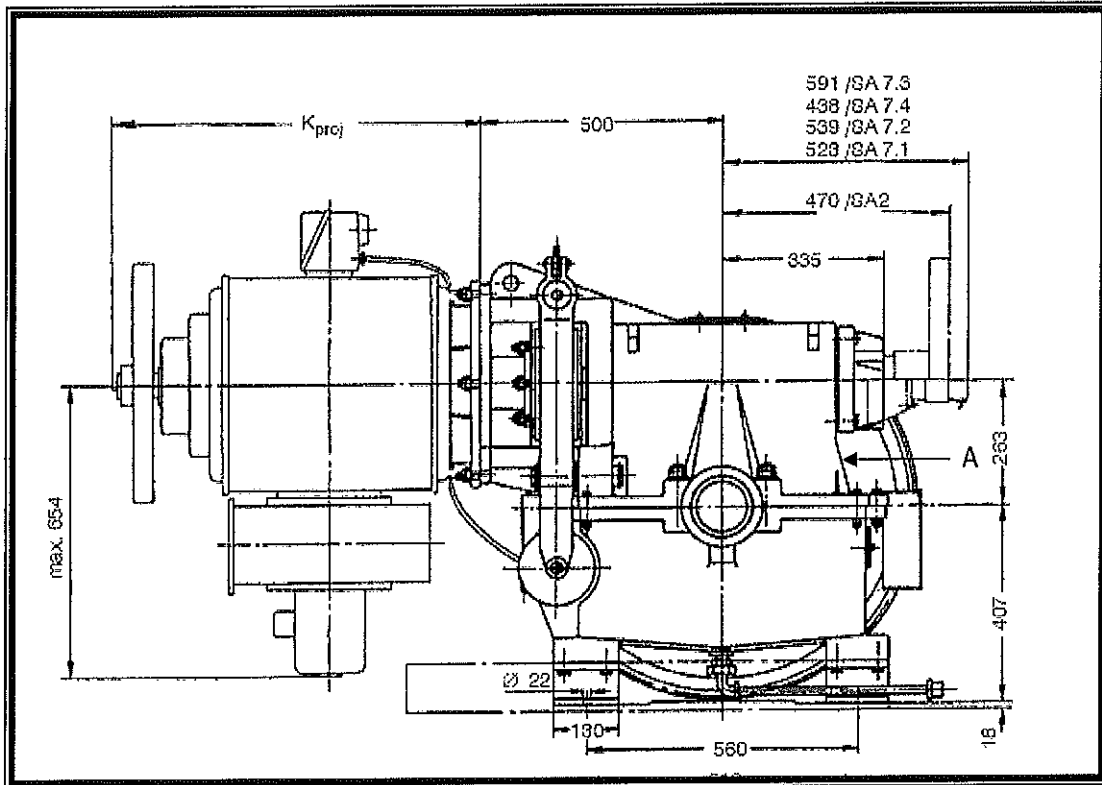
As a precautionary measure we would ask all members to check their portfolio for this type of equipment and inspect the fixing arrangement of the gear unit. To assist in identification of the unit an identification plate shown below at point A will provide the gear type and serial number details.

If the incorrect fixing arrangement is discovered as detailed above, please forward the site address together with the gear unit serial number to ThyssenKrupp Elevator UK Limited at the e-mail address below.

keith.baucutt @tke-uk-thyssenkrupp.com



LEIA Notice



ThyssenKrupp W263B Gear Unit